

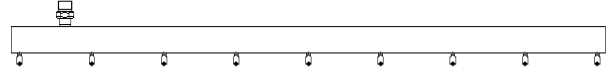
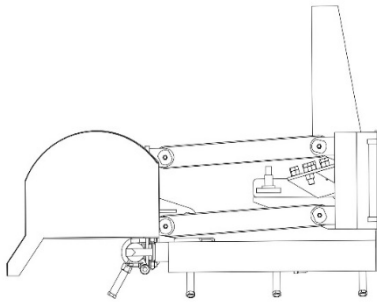
# HIGH-PRESSURE SPRINKLER



## Main Parameters

Items		FLM5070GQXQL6
GVW	kg	7300
Wheelbase	mm	3360
Payload Weight	kg	3570
Upper Weight	kg	1450
Upper Transportation Dimensions	mm	4090×1980×2050
Max Speed	km/h	95
Selectable Of Chassis Brand		ISUZU
Auxiliary Engine Model		4JB1-TCH
Auxiliary Engine Power	kW	68
High Pressure Water Pump Model		NX-C75/150
High Pressure Water Pump Pressure	MPa	15
High Pressure Water Pump Flow	L/min	75
Front Spraying Width	m	≥3
Washing width	m	2.5
Water Tank Effective Volume	m <sup>3</sup>	3.74

# Spray Nozzle



## Base Specification

### Water pump:

- The high-pressure water pump is driven by the auxiliary engine independently, so the operation is not affected and limited by the driving of the main vehicle, and the performance of the main vehicle is not affected by the mounting device.
- The imported high-pressure water pump has high working pressure, low water consumption and good cleaning effect.

### Cleaning device:

- The front high-pressure cleaning device is composed of three sections of cleaning frame, the cleaning width is up to 2.5m, and the three sections of high-pressure water curtain form a complete plane.
- Equipped with high-pressure cleaning gun, it can be used to clean road signs, billboards, car body self-cleaning, etc.

### Hydraulic system:

- The power unit drives the hydraulic system, the auxiliary engine drives the high-pressure water pump, and the two sets of devices are independent of each other and have no influence on each other, so the maintenance is convenient.

### Other advantages:

- Small model, suitable for small streets, streets and other sections of the operation.

### Optional device:

- SUS304 stainless steel tank can be selected.
- Left and right high-pressure hedging (general electric control and manual control)
- Back up spray electric control, manual control.